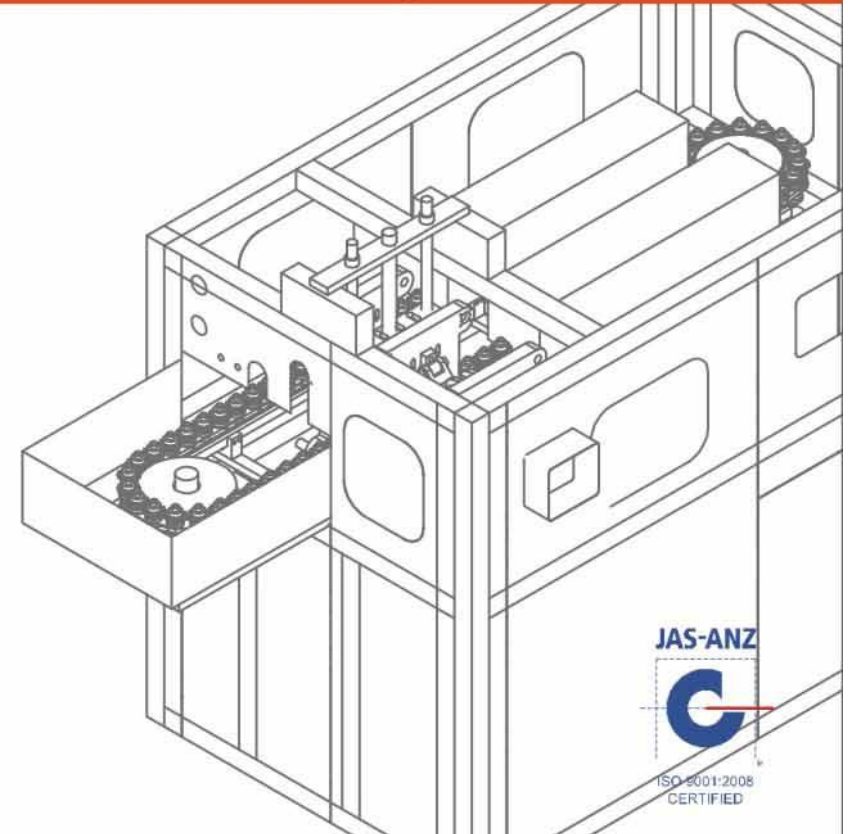




J.P. Machinery



Product Catalogue 2015-16



JAS-ANZ



ISO 9001:2008
CERTIFIED

Model : JP 750 4B



Product Volume		100ml - 750ml
Production Capacity BPH		3400 - 3800
Working Air Pressure Kg/Cm2		8.5 Kg
Blowing Air Pressure Kg/ Cm2		24 Kg
Clamping Force (Locking) Ton		50
Air Consumption	Low Pressure	50 CFM
CFM	High Pressure	45 CFM
Max Mould Opening Stock		115 mm
Mould Cavity No		4
Mould Thickness mm		160 MM
Neck Diameter		25-28 MM
Operating		Pneumatics
Heater	Connecting Load	24 KW
	Running Load	13 KW
Machine Weight		2600 KG
Heater Type		Infrared
Chiller TR		3 TR
Length mm		3500 mm
Height mm		2250 mm
Width mm		1400 mm



Model : JP 250 4B

Product Volume		50ml - 250ml
Production Capacity BPH		3600 - 4000
Working Air Pressure Kg/Cm2		8.5 Kg
Blowing Air Pressure Kg/ Cm2		22 Kg
Clamping Force (Locking) Ton		50
Air Consumption CFM	Low Pressure	45 CFM
	High Pressure	45 CFM
Max Mould Opening Stock		95 mm
Mould Cavity No		4
Mould Thickness mm		160 MM
Neck Diameter		25-28 MM
Operating		Pneumatics
Heater	Connecting Load	18 KW
	Running Load	9 KW
Machine Weight		2200 KG
Heater Type		Infrared
Chiller TR		3 TR
Length mm		2850 mm
Height mm		2000 mm
Width mm		1400 mm

Model : JP 1000 2B



Product Volume		100ml- 1000ml
Production Capacity BPH		1800 - 2000
Working Air Pressure Kg/Cm2		8.5 Kg
Blowing Air Pressure Kg/ Cm2		26 Kg
Clamping Force (Locking) Ton		50
Air Consumption	Low Pressure	35 CFM
CFM	High Pressure	30 CFM
Max Mould Opening Stock		115 mm
Mould Cavity No		2
Mould Thickness mm		160 MM
Neck Diameter		25-31 MM
Operating		Pneumatics
Heater	Connecting Load	24 KW
	Running Load	11 KW
Machine Weight		2200 KG
Heater Type		Infrared
Chiller TR		3 TR
Length mm		2800 mm
Height mm		2200 mm
Width mm		1500 mm

Model : JP 1000 4B



Product Volume	250ml - 100ml	
Production Capacity BPH	3600 - 4000	
Working Air Pressure Kg/Cm2	8.5 Kg	
Blowing Air Pressure Kg/ Cm2	26 Kg	
Clamping Force (Locking) Ton	100	
Air Consumption CFM	Low Pressure	75 CFM
	High Pressure	60 CFM
Max Mould Opening Stock	110 mm	
Mould Cavity No	4	
Mould Thickness mm	160 MM	
Neck Diameter	25-31 MM	
Operating	Pneumatics	
Heater	Connecting Load	44 KW
	Running Load	20 KW
Machine Weight	3200 KG	
Heater Type	Infrared	
Chiller TR	5 TR	
Length mm	3900 mm	
Height mm	2200 mm	
Width mm	1650 mm	

Model : JP 2000 1B



Product Volume	500ml- 2000ml	
Production Capacity BPH	750 - 900	
Working Air Pressure Kg/Cm2	8.5 Kg	
Blowing Air Pressure Kg/ Cm2	26 Kg	
Clamping Force (Locking) Ton	100	
Air Consumption	Low Pressure	35 CFM
CFM	High Pressure	30 CFM
Max Mould Opening Stock	130 mm	
Mould Cavity No	1	
Mould Thickness mm	200 MM	
Neck Diameter	25-31 MM	
Operating	Pneumatics	
Heater	Connecting Load	18 KW
	Running Load	10 KW
Machine Weight	2200 KG	
Heater Type	Infrared	
Chiller TR	3 TR	
Length mm	2900 mm	
Height mm	2150 mm	
Width mm	1500 mm	

Model : JP 2000 2B



Product Volume	500ml - 2000ml	
Production Capacity BPH	1500 - 1800	
Working Air Pressure Kg/Cm2	8.5 Kg	
Blowing Air Pressure Kg/ Cm2	26 Kg	
Clamping Force (Locking) Ton	100	
Air Consumption	Low Pressure	40 CFM
CFM	High Pressure	45 CFM
Max Mould Opening Stock	130 mm	
Mould Cavity No	2	
Mould Thickness mm	200 MM	
Neck Diameter	25-31 MM	
Operating	Pneumatics	
Heater	Connecting Load	36 KW
	Running Load	20 KW
Machine Weight	2600 KG	
Heater Type	Infrared	
Chiller TR	5 TR	
Length mm	3500 mm	
Height mm	2250 mm	
Width mm	1400 mm	

Model : JP 250 6B



Product Volume	50ml - 250ml	
Production Capacity BPH	5500 - 6000	
Working Air Pressure Kg/Cm2	8.5 Kg	
Blowing Air Pressure Kg/ Cm2	26 Kg	
Clamping Force (Locking) Ton	100	
Air Consumption	Low Pressure	55 CFM
CFM	High Pressure	55 CFM
Max Mould Opening Stock	95 mm	
Mould Cavity No	6	
Mould Thickness mm	160 MM	
Neck Diameter	25-28 MM	
Operating	Pneumatics	
Heater	Connecting Load	30 KW
	Running Load	13 KW
Machine Weight	2200 KG	
Heater Type	Infrared	
Chiller TR	5 TR	
Length mm	3900 mm	
Height mm	2200 mm	
Width mm	1650 mm	

Auth. Distributor

J.P. Machinery

Address : Plot No. M- 227, SECTOR No.02,
Bawana Industrial Area, Delhi -110039

E-mail : info2jpm@gmail.com
bpmachinery15@gmail.com

Website : www.jpimachinery.in

Phone : +91-11-27762953
+91-11-9278627353, 8800220765
+91-11-9910395263, 8010004006